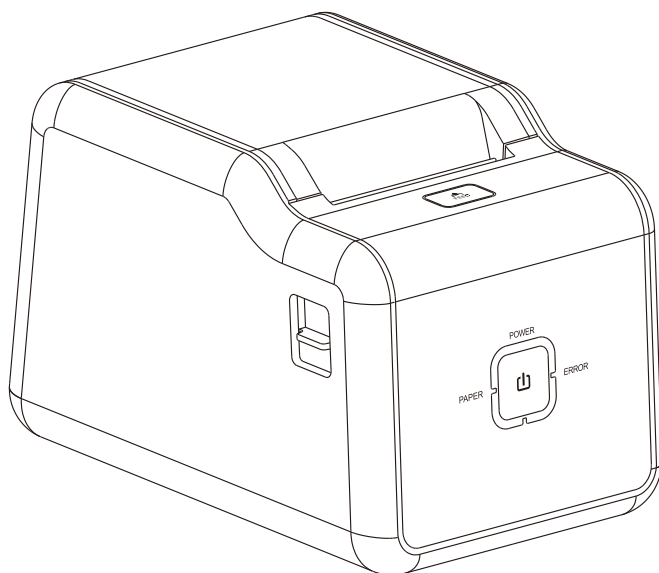


# **RONGTA** User Manual

---

## **80MM THERMAL RECEIPT PRINTER RP330/RP331/RP331A/RP332/RP332A**



# Contents

---

---

|  |    |
|--|----|
| I. Product Introduction.....                                       | 2  |
| 1.1 Safety Warnings.....   | 2  |
| 1.2 Main Features.....   | 2  |
| II. Safety Instructions.....                                       | 3  |
| III. Appearance and Components.....                                | 4  |
| IV. Technical Parameters.....                                      | 7  |
| 4.1 Printing Parameters.....                                       | 7  |
| 4.2 Printer Indicators.....  | 8  |
| 4.3 Printer Interfaces.....  | 8  |
| V. Installation and Operation of Printer.....                      | 9  |
| 5.1 Printer Unpacking.....   | 9  |
| 5.2 Connecting the Printer.....                                    | 9  |
| 5.3 Loading Paper.....   | 10 |
| VI. The Key and Indicator Light of Printer.....                    | 11 |
| VII. Self-Test of Printer.....                                     | 12 |
| VIII. Cashbox Interfaces of Printers.....                          | 13 |
| IX. Cleaning the Printer.....                                      | 14 |
| 9.1 Cleaning the Printer Head.....                                 | 14 |
| 9.2 Cleaning the Sensor.....                                       | 14 |
| 9.3 Cleaning the Printing Rubber Roller.....                       | 15 |
| X. Release the Jammed Knife.....                                   | 16 |
| XI. Troubleshooting.....   | 16 |
| 11.1 The indicator on the control panel is not on.....             | 16 |
| 11.2 The indicator is normal, while the printer does not work..... | 16 |
| XII. Driver Installation .....                                     | 17 |
| 12.1 Installation for Windows.....                                 | 17 |
| 12.2 The Port Direct Drive.....                                    | 17 |
| XIII. FCC WARNING .....  | 18 |

# I. Product Introduction

---

---

Thank you for purchasing the RP33X series thermal receipt printer produced by our company. This thermal receipt printer provides you with safe, reliable and efficient printing quality at a reasonable economic price. At the same time, RP33X series is widely used in supermarkets, hospitals, restaurants, banks, gas stations, road and bridge toll collection and other fields due to its super functions and easy operation.

## 1.1 Safety Warnings

- ⚠ Warning:** Do not touch the paper cutting knife or paper-tearing knife of the printer.
- ⚠ Warning:** The print head is a heating component. Do not touch the print head and its surrounding components when the printer is still warm in temperature.
- ⚠ Warning:** Do not touch the surface of the thermal print head and connectors, to avoid electrostatic damage to the print head.
- ⚠ Warning:** This product is only suitable for the use in non-tropical climates.

## 1.2 Main Features

- High printing quality
- Low noise
- Support cashbox drive
- The attractive appearance
- Reasonable structure, simple use and maintenance
- Built-in data buffer that receives print data when printing
- Support USB port, serial port (RS\_232), Ethernet port and cashbox interface (subject to actual model interface)
- The characters can be enlarged, bolded, underlined. And it can adjust the line spacing and the left-right spacing for printing.
- Supports bitmap downloading and graphic printing with different densities
- Realize high-speed printing equivalent to calling built-in and cartridge font in the mode of driver printing (dot map)
- Low power consumption and low operation cost (color tape and ink cartridge are not required)
- It is compatible with ESC/POS print instruction set

## II. Safety Instructions

---

---

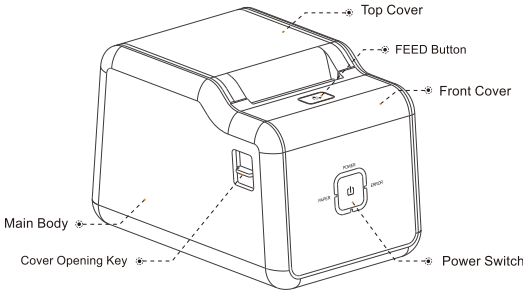
**Before operating and using the printer, please carefully read the following items and strictly observe the use rules.**

- ① Please install the printer on a stable surface to avoid printer suffered from any vibration and shocks.
- ② Stop using keeping the product in any case of unusual circumstances such as the presence of high temperature, high humidity and serious pollution.
- ③ Connect the printer's power adapter to an appropriate grounding socket. Avoid using the same socket with large motors or other equipment that may cause voltage fluctuation of power supply.
- ④ Do not get the product wet. Do not insert foreign objects(e.g. metal) into the product, and once it occurs, immediately turn off the power supply.
- ⑤ Never use the printer without paper, otherwise it will seriously damage the printing rubber roller and thermal head.
- ⑥ Unplug the product from the power outlet if the printer is idle for a long time.
- ⑦ Do not disassemble or modify the product personally.
- ⑧ Use only the power adapter specified in this instruction.
- ⑨ In order to ensure the printing quality and prolong the service life of the product, it is recommended to use the recommended or equivalent thermal printing paper.
- ⑩ Do not plug/unplug the product with the product powered on.
- ⑪ When plugging and unplugging the printer power cord, please hold the arrow position of the printer power connector with your hand, not the cord of the printer power cord.
- ⑫ Please keep this manual for the future use and reference.

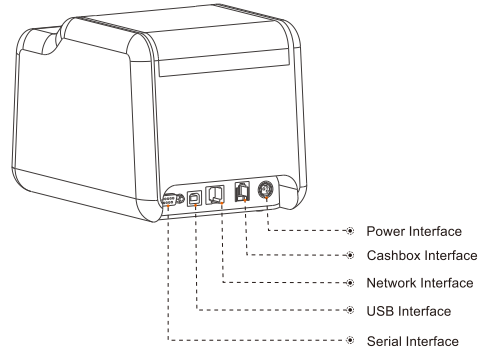
# III. Appearance and Components

## RP330 thermal receipt printer

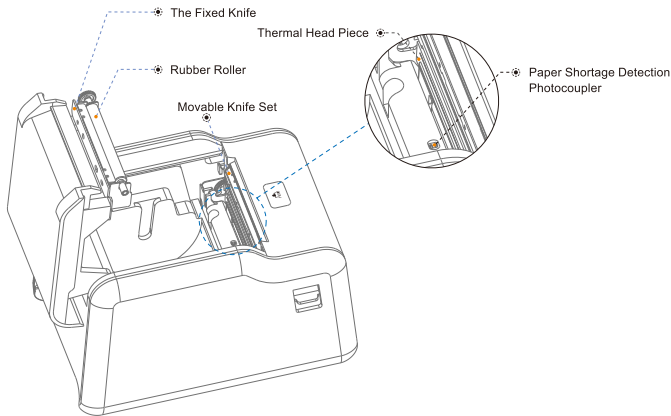
### Front View



### Rear View



### Inside View

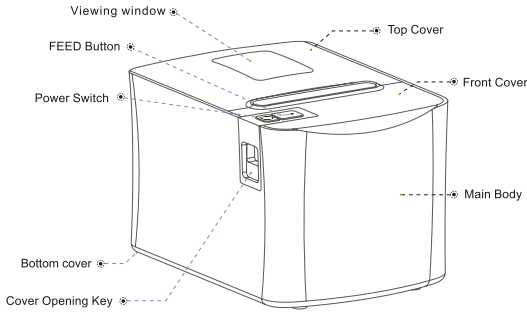


## Application Field

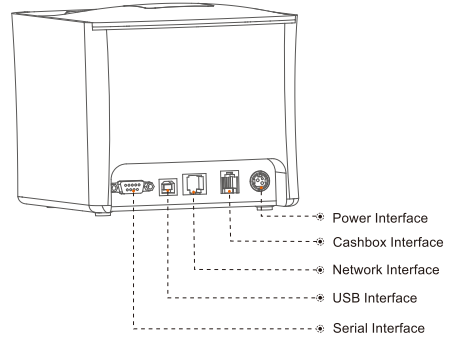
- Cashier system of places of entertainment
- Cashier system of retail monopoly
- Catering cashier system
- Postal logistics receipt printing system
- Hotel receipt printing system

# RP331\RP331A thermal receipt printer

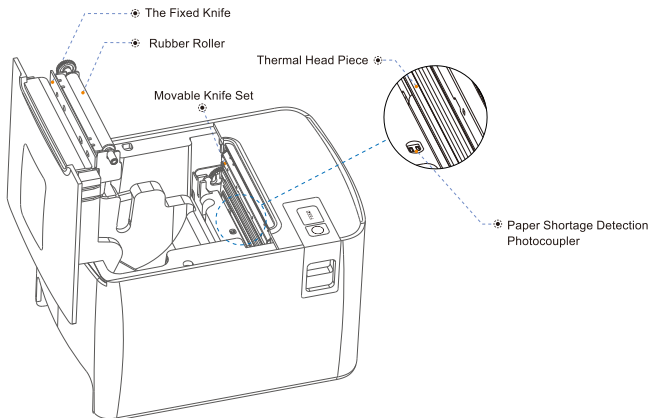
## Front View



## Rear View



## Inside View

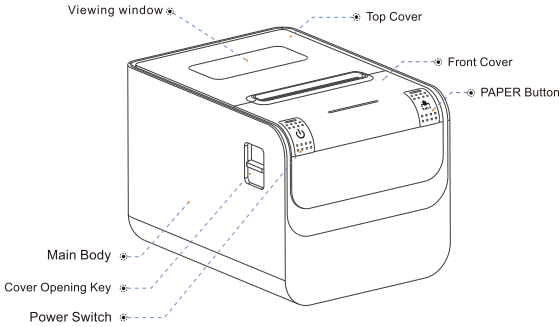


## Application Field

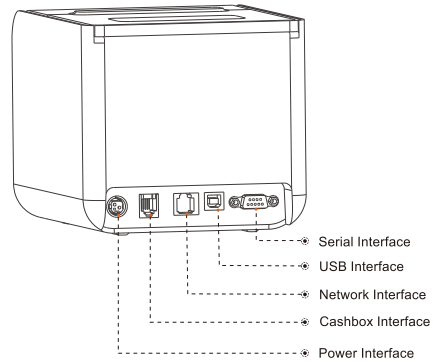
- Cashier system of places of entertainment
- Cashier system of retail monopoly
- Catering cashier system
- Postal logistics receipt printing system
- Hotel receipt printing system

# RP332\RP332A thermal receipt printer

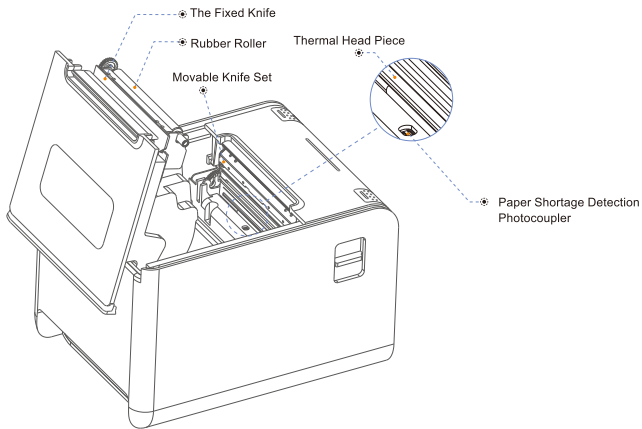
## Front View



## Rear View



## Inside View



## Application Field

- Cashier system of places of entertainment
- Cashier system of retail monopoly
- Catering cashier system
- Postal logistics receipt printing system
- Hotel receipt printing system

# IV. Technical Parameters

## 4.1 Printing Parameters

|                                |  |
|--------------------------------|--|
| Model                          | RP330\RP331\RP331A\RP332\RP332A                                |
| Printing method                | Thermal line printer   |
| Printing speed                 | 250mm/s  |
| Printing paper width           | 79.5±0.5 mm  |
| Effective resolution           | 203 dpi ( 8 dot/mm)  |
| Outside diameter of paper roll | 80 mm  |
| Thickness of printing paper    | 0.06-0.08mm  |
| Effective printing width       | 72mm or 48mm (Alternative: compatible with 58mm paper)         |
| Dot density                    | 576dot/line or 384dot/line                                     |
| Character size                 | ASCII Font A: 12x24 ASCII Font B: 9x17 Chinese character 24x24 |
| Line space                     | 3.75mm(Use the command to adjust the line space)               |
| Size of receive buffer         | Page mode:1M   |

### Print character

|   |   |
|---|---|
| ASCII character set                                     | 12x24 dot, 1.25 (width)X3.00 (height)mm   |
| National Standard Class I and II Chinese Character Font | 24x24 dot, 3.00 (width)X3.00 (height)mm   |
| Type of bar code  | UPCA/UPCE/EAN13/EAN8/CODE39/I25/CodeBar/CODE128 CODE93/CODE11/MSI/QRCORE/PDF417                                     |
| Extended character table                                | PC437, Katakana, PC850, PC860, PC863, PC865, WPC1252, PC866, PC852, PC858 etc., 50 international languages in total |

### Power supply

|                    |               |
|--------------------|---------------|
| Power adapter      | AC 100 ~ 240V |
| Input power supply | DC 24V 2.5A   |
| Cashbox output     | DC 24V 1A     |

### Service life

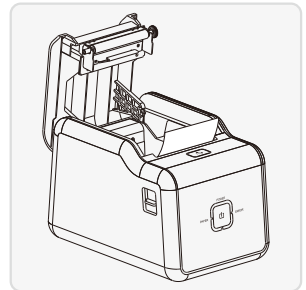
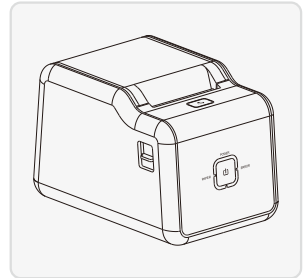
|              |   |
|--------------|---|
| Service life | The service life of print head: 150 kilometers;<br>The service life of inner diffusion knife: one million times |
|--------------|---|

### Environmental requirements

|                     |   |
|---------------------|---|
| Working environment | Operating temperature: 0~45°C, operating humidity: 20~90% |
| Storage environment | Storage temperature: -10~60°C, storage humidity: 10~90%   |

### Environmental conditions

|                          |   |
|--------------------------|---|
| Drive                    | WIN2003/WINXP/WIN7/WIN8/WIN10/LINUX/Mac   |
| Print command            | ESC/POS/OPOS command compatible   |
| Character printing       | It supports double width and double height printing of AN K characters, custom characters and Chinese characters; adjusts dot patterns of character spacing for printing; |
| printing of dot patterns | It supports printing of dot patterns with different densities and downloaded graphics   |




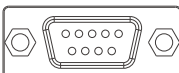
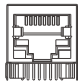


The pictures are for reference only, please subject to practicality



## 4.2 Printer Indicators

|  |   |
|--|---|
| <b>Type of printing paper</b><br>Thermal paper rolls recommended | Thermal printing paper  |
| <b>Type of paper rolls</b>                                       | Specifications: AF50KS-E Manufacturer: Jujo Thermal Oy(Finland)<br>Specifications: TF-50KS-E Manufacturer: Nippon Paper Industries Co., Ltd<br><br> <b>Attention</b><br>(1) To get the best results from the printer, choose the recommended paper or other paper with equivalent quality, otherwise the printing quality will be affected and even the service life of thermal print head will be reduced.<br>(2) Please do not use the paper roll that the end glued on the core of the paper roll, otherwise it may cause damage to the printer.<br>(3) If the printing paper is contaminated by chemicals or oils, it may fade or reduce the sensible heat degree, and affect the printing effect.<br>(4) Do not rub the surface of the printing paper with hard articles, otherwise it may cause fading.<br>(5) The print paper will fade if the temperature is up to 70°C,keep it out of direct sunlight, humidity and high temperature. |

## 4.3 Printer Interfaces

| Diagram   | Type              | Illustration   |
|---|-------------------|--|
|    | USB               | Universal USB Interface (Standard Type B)  |
|    | Serial interface  | Db9 female connector interface, communication baud rate is 9600bps,19200bps, 38400bps or115200bps optional (adjusting via DIP switch), data structure is parity-free, 8-bit data bit, 1-bit stop bit; RTS/CTS and XON/XOFF handshake protocols are supported |
|   | Network interface | Standard RJ45-8P interface, 10M/100M transmission speed with self-adaptation, 100M network LED indication, data communication LED indication.  |
|  | Cashbox control   | The 6-wire RJ-11 socket, outputing DC 24V/1A power signal to drive the cashbox.  |
|  | Power interface   | Power plug DC 24V.   |

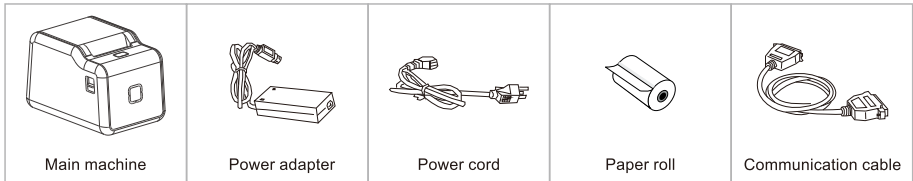
☺ **Note:** The interface is optional or customized, and the specific interface is subject to the actual object.

## V. Installation and Operation of Printer

### 5.1 Printer Unpacking

#### Check the parts:

Before use, make sure the accessories are included in the package(the following picture is an example). If any thing is missing, contact the supplier or manufacturer. The specific accessories may not be included depending on the printer model.

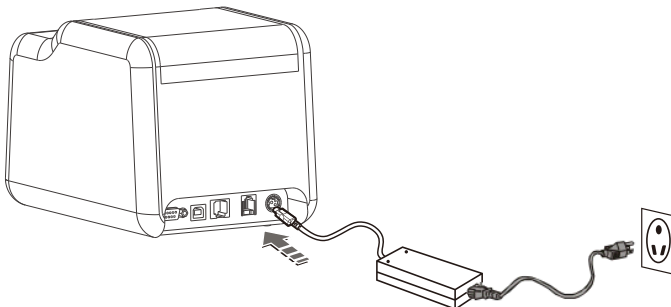


☺ The pictures are for reference only, please subject to practicality.

### 5.2 Connecting the Printer

- (1) Make sure that both the printer and the PC host are turned off, plug the matching data communication cable into the printer's data interface, and plug the other end into the serial port/parallel port /USB/ network port of PC host.
- (2) If equipped with an electrically openable cashbox, insert the RJ-11 connector on the cashbox into the cashbox interface of the printer (the specifications of the cashbox must conform to the printer cashbox drive specifications).
- (3) Connect to the special power adapter of the printer.

**Use the special power adapter for the printer.  
The connection diagram is as follows:**



## Attention:

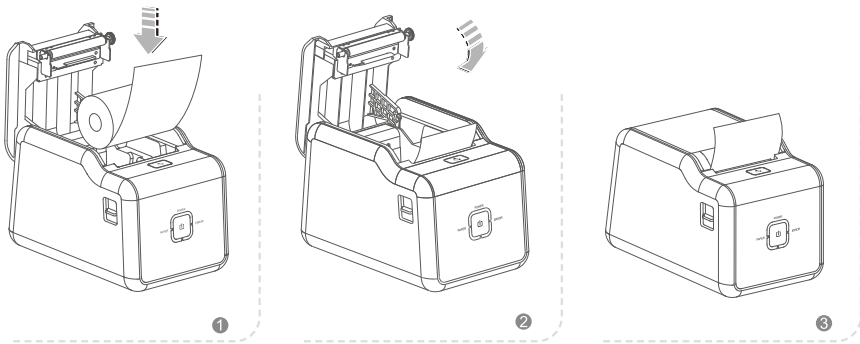
- (1) First plug the power plug DC24V of the printer, then switch on the AC220V power supply, and then turn on the power switch. Do not reverse the sequence, otherwise the machine will be damaged.
- (2) Using an improper power adapter will make the printing quality worse and even damage the printer.
- (3) Do not connect the telephone line to the cashbox interface, otherwise the printer and telephone may be damaged.
- (4) When plugging in the printer power cord, please hold the arrow position of the printer power connector with your hand (do not plug in the cord of the printer power cord with your hand). Forcibly plucking the flexible cord of the printer power connector or pulling the printer power cord may cause damage to the printer or the power adapter.

## 5.3 Loading Paper

The RP33X Serial thermal receipt printer uses 80 mm thermal paper rolls and adopts an easy paper loading mechanism, which is very convenient for paper loading.

### The Installation Method of Thermal Paper is as Follows:

- (1) Open the upper cover of the printer.
- (2) Insert the roll paper as shown in the 1 illustration.
- (3) Pull out a part of paper, and close the cover as shown in the 2 and 3 illustration.
- (4) Tear off the paper with the cutter.



## VI. The Key and Indicator Light of Printer

### Keys and Indicators

The function description of keys and indicators:

#### FEED key

Press the FEED button once to advance paper or hold down the FEED button to feed paper continuously. Hold down the FEED button and turn on the product at the same time to print the self-test.

#### POWER Indicator

The power button is used to turn on/off the printer. The power button is located on the upper right of the printer. Press the power button to turn on the printer; and when the printer is on, press the power button to turn off the printer.

 **Attention: Make sure the power supply is connected before turning on the printer.**

Indicator: Status indicator

| RP330         | RP331         | RP331A | RP332\RP332A |
|---------------|---------------|--------|--------------|
| Orange yellow | Orange yellow | Blue   | Blue         |

The printer buzzer will beep and the indicator will flash in case of paper shortage, paper jam, overheating of print head, print head error or other abnormalities.

The indicator is always on under normal conditions.

### Buzzer error status and causes:

| Status      | Error causes   |
|-------------|--|
| Two beeps   | Printer mechanism installation error/<br>temperature below -50°C |
| Three beeps | Paper shortage   |
| Four beeps  | Diffusion knife error  |
| Five beeps  | Temperature above 80°C   |
| Six beeps   | Cover is open  |
| Ten beeps   | Flash error  |

## VII. Self-test of Printer

---

---

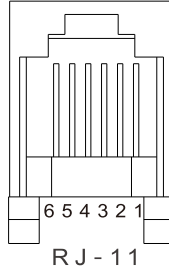
Self-test can detect whether the printer is working normally. If the Self-test list sample can be printed correctly, it indicates that everything is normal except the connection interface with the host computer, otherwise overhaul is required. In the self-test, it will print the software version number, print density, interface type, English characters and some Chinese characters in sequence.

The operation method of self-test is: after the printer is connected, press and hold the feed key first and then turn on the power supply of the printer. First, the printer will reset and detect, and release the feeding button less than 5 seconds after the reset is completed. At this moment, the printer will carry out self-test and print the self-inspection list sample.

## VIII. Cashbox Interfaces of Printers

---

The cashbox interface of the printer adopts RJ-11 standard, 6-wire socket, and outputs DC 24V/1A power signal to drive the cashbox. Insert the RJ-11 crystal connector of the cashbox into the cashbox interface to open the cashbox through the printer.



**The functions of each pin of the cashbox interface of the printer are defined as follows:**

| Pin number | Signal | Description                           |
|------------|--------|---------------------------------------|
| 1          | GND    | Power supply ground                   |
| 2          | Dk1    | Negative pole of cashbox 1#           |
| 3          | DK-1N  | Start detection                       |
| 4          | PWR    | Positive pole of power supply/cashbox |
| 5          | Dk2    | Negative pole of cashbox 2#           |
| 6          | GND    | Power supply ground                   |

## IX. Cleaning the Printer

---

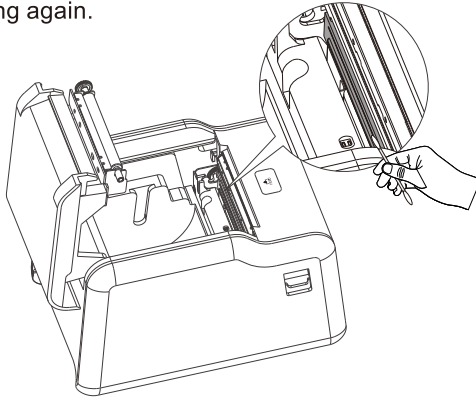
### 9.1 Cleaning the Printer Head

**Clean the print head when one of the following conditions occurs to the printer:**

- (1) Printing is not clear;
- (2) A vertical column of the printed page is not clear;
- (3) The paper feeding noise is high.

**The print head cleaning steps are as follows:**

- (1) Disconnect the power cord, open the upper cover and remove the paper if exists.
- (2) If printing has just been completed, wait for the print head to cool completely;
- (3) Clean the printer head with a soft cotton moistened with ethyl alcohol.
- (4) After waiting for absolute ethyl alcohol to volatilize completely, close the cover and try printing again.



### 9.2 Cleaning the Sensor

**Clean the paper shortage sensor when one of the following conditions occurs to the printer:**

- (1) In the printing process, the printer occasionally stops printing and alarms for paper shortage;
- (2) It does not give alarms for paper shortage.

**The paper shortage sensor cleaning steps are as follows:**

- (1) Turn off the power supply of the printer, open the upper cover, and remove the paper if there is any;
- (2) Wipe off the dust and stain on the sensor surface with soft cotton cloth (which should be dried) dipped in absolute ethyl alcohol.
- (3) After waiting for absolute ethyl alcohol to volatilize completely, close the cover and try to start the machine again.

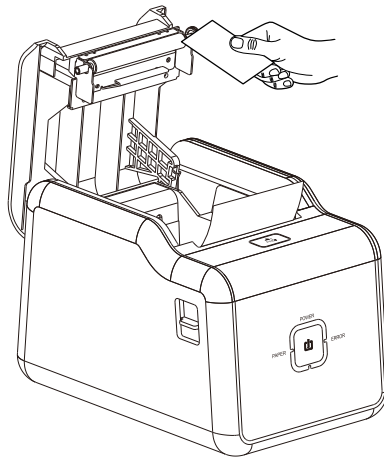
### 9.3 Cleaning the Printing Rubber Roller

When one of the following conditions occurs to the printer, the printing rubber roller should be cleaned:

- (1) Printing is not clear;
- (2) A vertical column of the printed page is not clear;
- (3) The paper feeding noise is high.

The printing Rubber Rollers cleaning steps are as follows:

- (1) Turn off the power of the printer and open the upper cover;
- (2) Use a soft cotton cloth (which should be dried) dipped in a neutral detergent to wipe off dust and stains on the surface of the printing rubber roller;
- (3) Close the upper cover after the cleaning agent is completely volatilized.



#### **⚠ Attention:**

- (1) The power supply must be turned off during the daily maintenance of the printer.
- (2) Do not touch the surface of the print head with hands and metal objects, and do not scratch the surface of the print head, printing rubber roller and sensor with tweezers and other tools.
- (3) The organic solvents such as gasoline and acetone shall not be used.
- (4) Wait until absolute ethyl alcohol is completely volatilized, then turn on the power supply to continue printing.

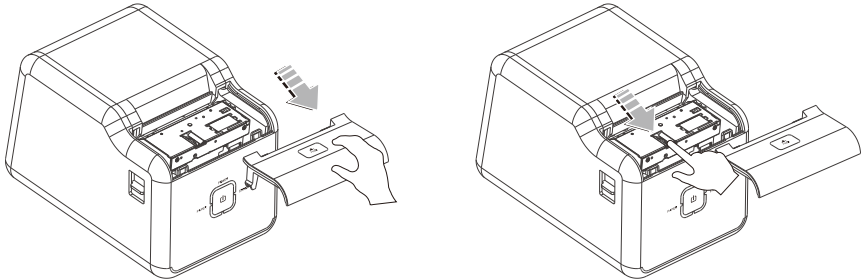


## X. Release the Jammed knife

---

When the knife of printer is jammed, the upper cover of the printer cannot be opened. The printer shall be powered off and restarted. If the jammed knife is not reset, the power supply of the printer shall be turned off, the front cover of the printer (as shown in the left figure) is opened, and the jammed knife can be released by reversing the gear.

**(The gear is in the position as shown in the following figure)**



## XI. Troubleshooting

When the printer fails, it can be handled according to the method in this section. If the problem cannot be solved, please contact the distributor or manufacturer.

### 11.1 The indicator on the control panel is not on

Check whether the power cord is properly plugged into the printer, power adapter, and power outlet or not. Check if the printer's power switch is on.

### 11.2 The indicator is normal, while the printer does not work

Run the self-test to check whether the printer can work properly. If you cannot perform self-test, please contact your distributor or the technical service personnel.

**If the self-test can be performed normally, check the following:**

- (1) Check the interfaces at both ends of the connection line between the printer and the computer. At the same time, confirm whether the connection meets the specifications of printer and computer.
- (2) The data transfer settings between the printer and the computer may be different. You can use self-test to print out the printer's interface settings. If the printer cannot print, please contact your distributor or the technical service personnel.

## XII. Driver Installation

---

There are two ways to drive the RP33X thermal receipt printer, one is to install the driver directly under Windows WIN2003/WINXP/WIN7/WIN8/WIN10/LINUX/Mac, the other is to use the port for direct driving.

### 12.1 Installation for Windows

Add the printer to Windows and assign the driver files in the driver disk to Windows. You can start printing only by calling the print command in the program. In this way, the printer driver of Windows actually converts characters into graphic dot matrix for printing.

### 12.2 The Port direct drive

In this way, there is no need to use a driver, only the characters need to be directly output to the port, and the built-in and cartridge font inside the printer is used to realize the conversion and printing of the characters. Using the port direct drive way, the printing mode is also changed from page printing mode to line printing mode, making printing control more convenient. If the port direct drive mode is used, the instruction set needs shall be used to control the printing of the printer, and the ESC/POS command set has been integrated inside the 80mm thermal receipt printer.

## XIII. FCC WARNING

---

---

Any Changes expressly or modifications not approved by the party responsible for compliance could void the user's authority to operate the equipment.

This device complies with Part 15 of the FCC Rules. Operation is subject to the following two conditions:

- (1) This device may not cause harmful interference, and
- (2) This device must accept any interference received, including interference that may cause undesired operation.

**Note: This equipment has been tested and found to comply with the limits for a Class B digital device, pursuant to Part 15 of the FCC Rules.**

**These limits are designed to provide reasonable protection against harmful interference in a residential installation.**

This equipment generates, uses, and can radiate radio frequency energy and, if not installed and used in accordance with the instructions, may cause harmful interference to radio communications. However, there is no guarantee that interference will not occur in a particular installation.

If this equipment does cause harmful interference to radio or television reception, which can be determined by turning the equipment off and on, the user is encouraged to try to correct the interference by one or more of the following measures:

- Reorient or relocate the receiving antenna.
- Increase the separation between the equipment and receiver.
- Connect the equipment into an outlet on a circuit different from that to which the receiver is connected.
- Consult the dealer or an experienced radio/TV technician for help.

### **FCC Radiation Exposure Statement:**

This equipment complies with FCC radiation exposure limits set forth for an uncontrolled environment .

This transmitter must not be co-located or operating in conjunction with any other antenna or transmitter.



**Rongta Technology (Xiamen) Group Co., Ltd.**

**ADD: No. 889 Xinmin Avenue, Tongan District, Xiamen, China**

**WEB: [www.rongtatech.com](http://www.rongtatech.com)**

**TEL: 0086-592-5666129    FAX: 0086-592-5659169**

